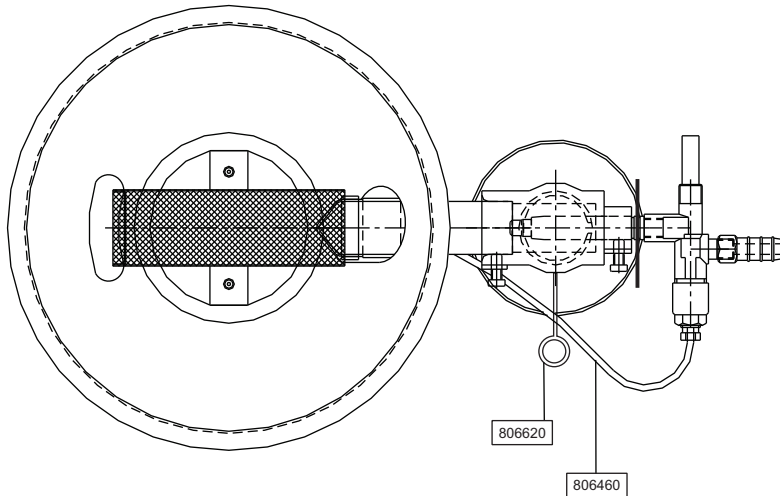
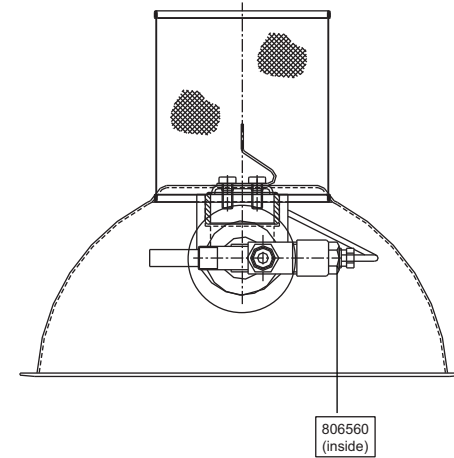
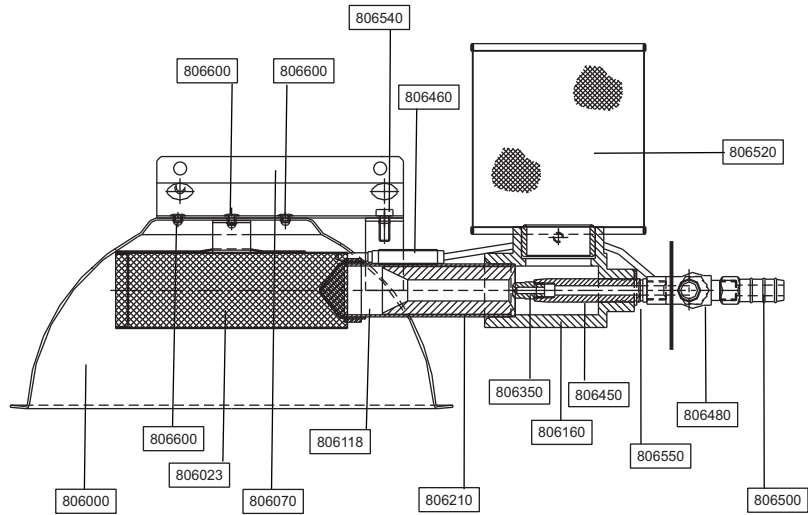


M3 Parts Identification (Standard Filter)



Part #	Qty.	Description		
806670	1	Heater ID Tag		
806600	8	No. 39 Rivet Stainless Steel		
806540	2	No. 36 Screw (M5x10)		
806520	1	No. 32 Dust Filter Standard		
806500	1	No. 31 Hose Socket 3/8x1/8 (F)		
806480	1	No. 30 Safety Device w/Interior Coil		
806460	1	No. 29 Thermocouple M2/M3		
806450	1	No. 28 Jet Holder Long M3 LP	806450	No. 28 Jet Holder Long M3 NG
806350	1	No. 27 Jet M3 LP 0.39mm	806352	No. 27 Jet M3 NG 0.55mm
806210	1	No. 26 Venturi M3 LP 10mm	806212	No. 26 Venturi M3 NG 8mm
806160	1	No. 25 Tee-Piece M-Type		
806118	1	No. 24 Burner Pipe M3		
	1	No. 37 Burner Pipe Mesh M3 - (part of burner pipe)		
	1	No. 38 Burner Pipe Mesh Ring M3 - (part of burner pipe)		
806023	1	No. 22 Round Burner M3 w/Rivets		
806000	1	No. 21 Reflector M2/M3		
806070	1	No. 23 Suspension Frame M2/M3		
806550	1	No. 34 Spindle Ring		
806560	1	No. 35 Interior-Coil (located inside beneath cap)		
806620	1	No. 41 Thumb Screw - Filter		